

Flyback Transformer

AFBT-02



RoHS/RoHS II compliant



10.0 x 9.5 x 9.5mm

FEATURES:

- Open shape for self cooling
- Produced by automatic process
- Meet UL safety standards

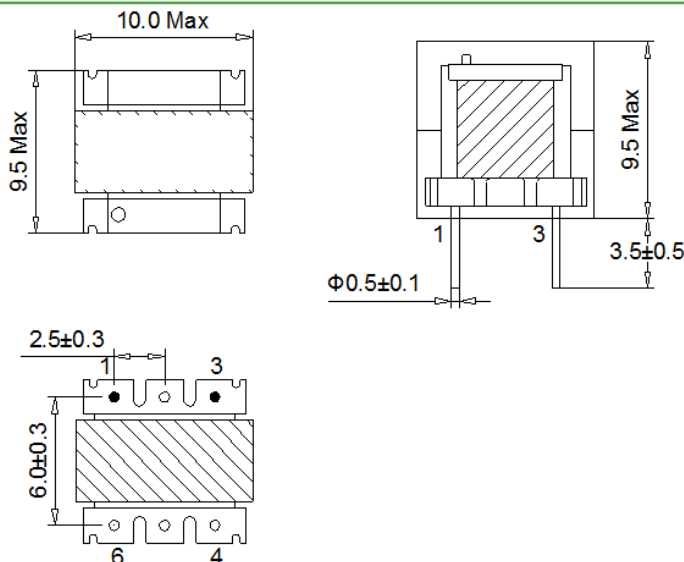
APPLICATIONS:

- Widely used with switches controller, UPS power inverter
- Computer, LED Lighting
- 3.5W output

ELECTRICAL SPECIFICATIONS:

Parameters	Minimum	Typical	Maximum	Units	Notes
Operating Temperature	-40		+130	°C	
Storage Temperature	-5		+35	°C	
Inductance	3.15	3.5	3.85	mH	Pin 1-3, 10kHz, 1Vrms
Hipot		500		Vrms	Pin 1 to core, 0.5mA, 2sec
Insulation resistance	100			MΩ	500Vdc, 2 sec

OUTLINE DIMENSION:



Dimension: mm

Materials

NO.	ITEM	MATERIAL	TEMP. (FLAME) CLASS	UL FILE NO.
1	CORE	Mn-Zn FERRITE CORE ,EE8.3 ,TP4	—	—
OR		Mn-Zn FERRITE CORE ,EE8.3 ,DMR40	—	—
2	BOBBIN	PHENOLIC T375HF	V-0	E59481
3	WIRE	MODIFIED POLYESTER ENAMELLED WIRE, TYPE UEW-F	155°C	E258243
4	TAPE	POLYESTER FILM TAPE #1350F-1	130°C	E17385
5	SOLDER	Sn96.5 /Ag 3.0/Cu0.5	—	—
6	VARNISH	V1630FS	180°C	E75225

Note: Abracon Corporation will not alter any material composition, without prior written notification.



Flyback Transformer

AFBT-02

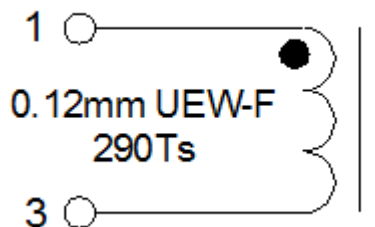


RoHS/RoHS II compliant

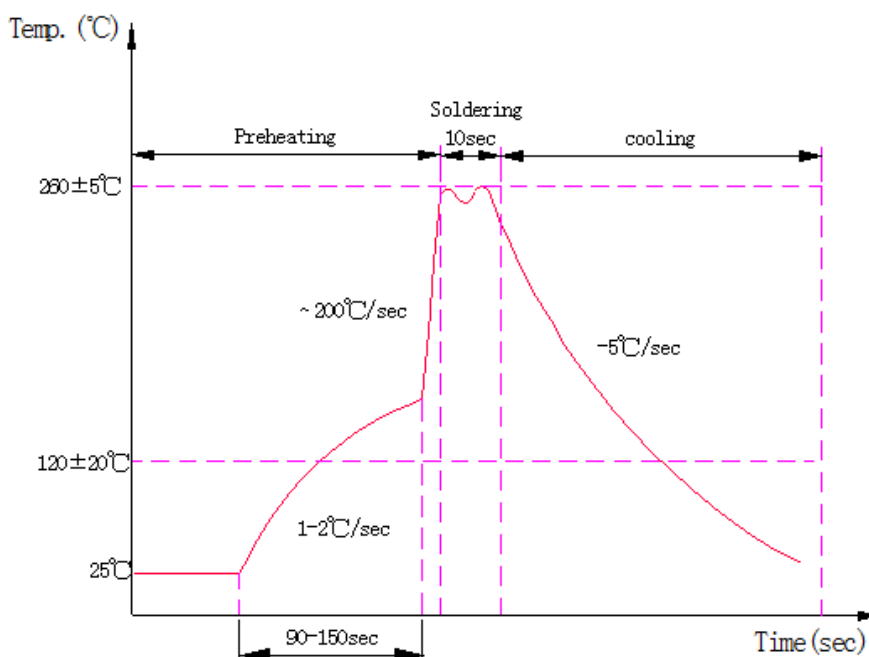


10.0 x 9.5 x 9.5mm

SCHEMATIC



WAVE SOLDERING PROFILE



Packing (100pcs/tray)

ATTENTION: Abracon Corporation's products are COTS – Commercial-Off-The-Shelf products; suitable for Commercial, Industrial and, where designated, Automotive Applications. Abracon's products are not specifically designed for Military, Aviation, Aerospace, Life-dependant Medical applications or any application requiring high reliability where component failure could result in loss of life and/or property. For applications requiring high reliability and/or presenting an extreme operating environment, written consent and authorization from Abracon Corporation is required. Please contact Abracon Corporation for more information.

ABRACON IS
ISO9001:2008
CERTIFIED



ABRACON
CORPORATION

Visit www.abracon.com for Terms & Conditions of Sale **Revised: 10.02.14**
30332 Esperanza, Rancho Santa Margarita, California 92688
tel 949-546-8000 | fax 949-546-8001 | www.abracon.com