

SMD SHIELDED POWER INDUCTOR



6.6 x 5.6 x 1.1mm

ALPI-6611



RoHS
Compliant

FEATURES:

- Shielded magnetics, low radiation
- Large Terminal surface for good PCB bonding
- Low DCR, High Energy storage, suitable for large currents
- Ideal for a variety of DC-DC converter inductor applications

APPLICATIONS:

- Portable communication equipment
- OA equipment
- LCD, DVD, modem, set-top box
- DC/DC converters

STANDARD SPECIFICATIONS:

PARAMETERS

ABRACON P/N:	ALPI-6611 Series
Operating temperature:	-40°C to + 85°C
Storage temperature:	-40°C to + 85°C, 70% RH max.
Measuring Conditions:	Unless specified, test condition should be Temp.=15~35°C, Humidity=25~75%. If needed, then test condition should be Temp.=18~ 22°C, Humidity=60~70%.

Part Number	Inductance (µH)	DCR (?) Max	SRF (MHz) Typ.	Rated DC current (A)	
				Idc ¹ , Max	Idc ¹ , Max
ALPI-6611-1R2N	1.2	0.08	190	2.1	1.7
ALPI-6611-1R5N	1.5	0.1	140	1.9	1.5
ALPI-6611-2R2N	2.2	0.12	115	1.6	1.4
ALPI-6611-3R3N	3.3	0.16	90	1.3	1.2
ALPI-6611-4R7N	4.7	0.2	88	1.1	1.1
ALPI-6611-6R8N	6.8	0.32	66	0.9	0.85
ALPI-6611-100M	10	0.41	55	0.8	0.75
ALPI-6611-150M	15	0.55	42	0.65	0.6
ALPI-6611-220M	22	0.85	38	0.5	0.52
ALPI-6611-330M	33	1.3	29	0.4	0.42
ALPI-6611-470M	47	1.8	22	0.35	0.36
ALPI-6611-680M	68	2.5	18	0.3	0.3
ALPI-6611-101M	100	3.5	14	0.25	0.26
ALPI-6611-151M	150	5	12	0.18	0.21
ALPI-6611-221M	220	7	10	0.16	0.18
ALPI-6611-331M	330	15	8	0.13	0.13

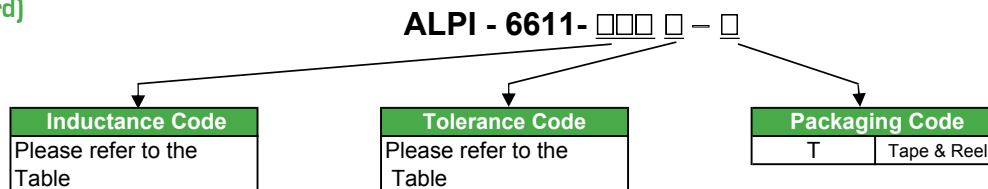
Note

1. IDC 1 : Base on Inductance change ($|\Delta L/L_0| \leq 10\%$), $\Delta L=L(\text{IDC})-L_0$
2. IDC 2 : Base on Temperature change (T<40C)
3. Test Freq.: 100kHz, 0.1V

Inductance Tolerance: M: ±20% N: ±30%

OPTIONS AND PART IDENTIFICATION:

(Left blank if standard)



SMD SHIELDED POWER INDUCTOR

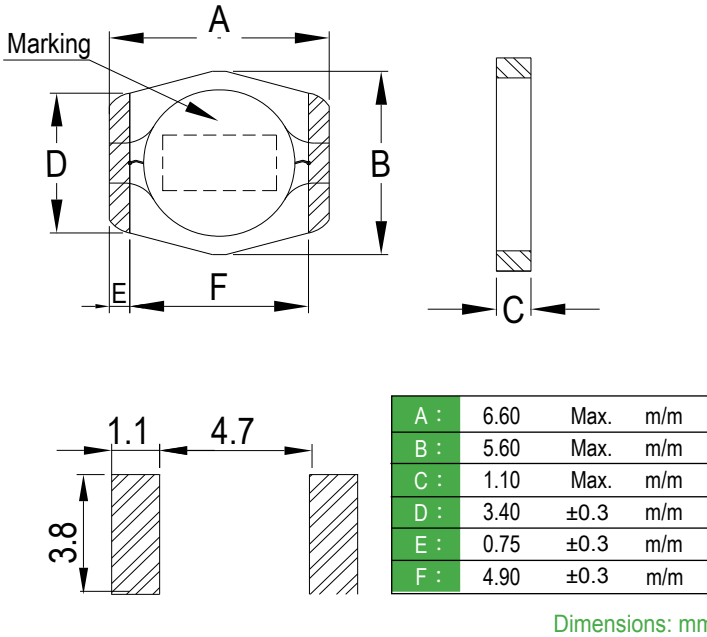


6.6 x 5.6 x 1.1mm

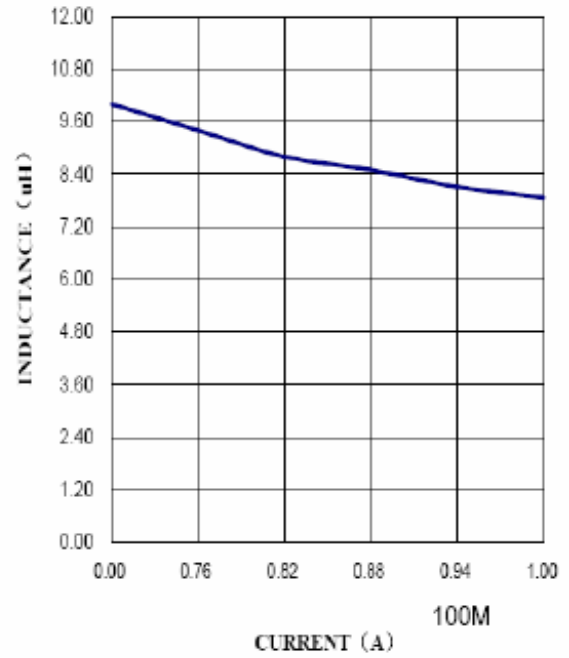
ALPI-6611



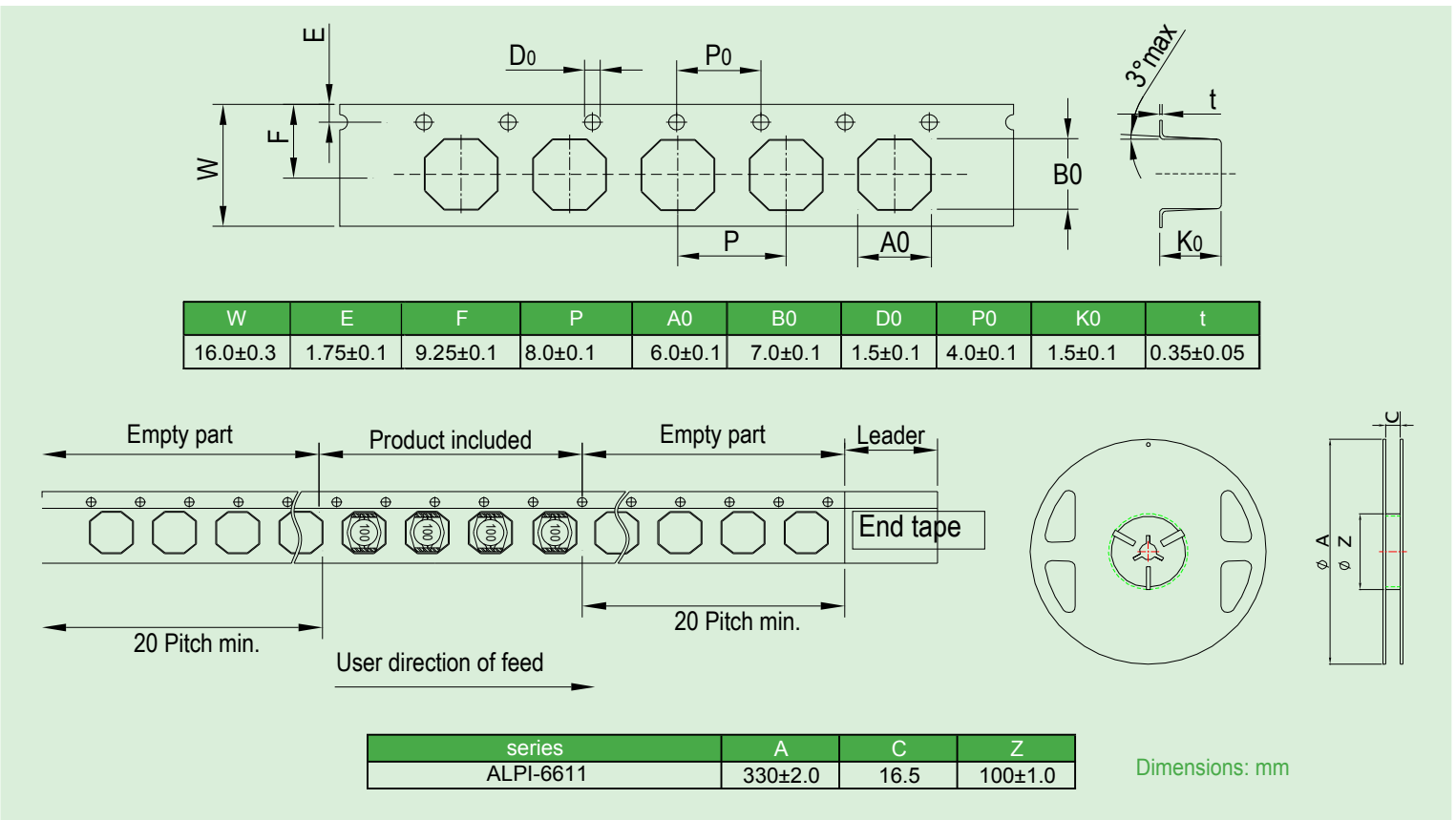
OUTLINE DRAWING:



CHARACTERISTIC CURVE:



TAPE & REEL: Tape and reel 2,500pcs/reel



SMD SHIELDED POWER INDUCTOR

ALPI-6611

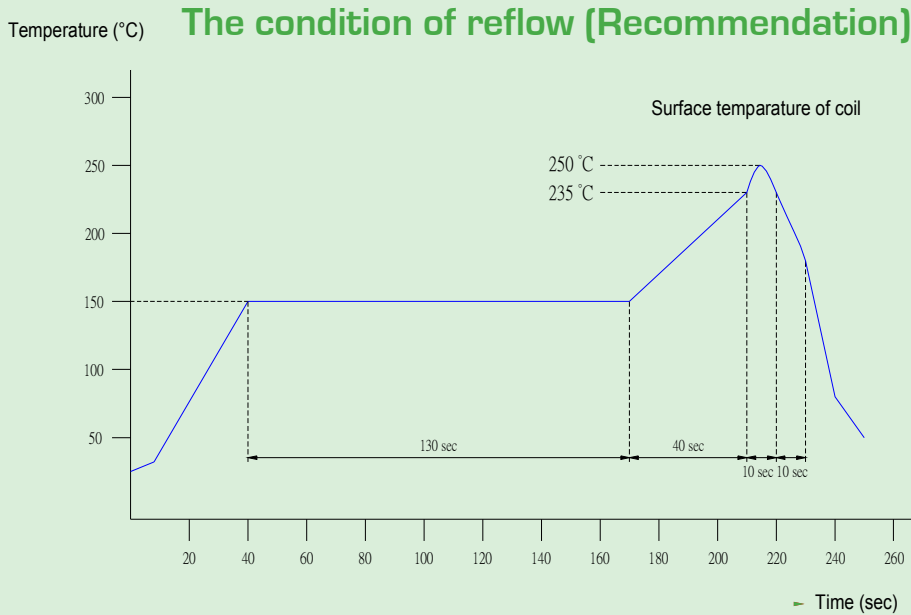


RoHS
Compliant



6.6 x 5.6 x 1.1mm

REFLOW PROFILE:



The reflow condition recommended above is according to the machine used by our company. Big differences will arise as a result of the type of machine, reflow conditions, method, etc used. Hence, before setting up your reflow conditions. Please confirm with the above. Moreover, please clear all questions.

NOTE: Abracon manufactured products are intended for general commercial and industrial use. For applications requiring high reliability and/or presenting extreme operating environment, written consent & authorization from Abracon is required.

ABRACON IS
ISO 9001 / QS 9000
CERTIFIED



Visit www.abracon.com for Terms & Conditions of Sale **Revised: 08.04.09**
30332 Esperanza, Rancho Santa Margarita, California 92688
tel 949-546-8000 | fax 949-546-8001 | www.abracon.com