

RJ45 1000 Base-TX Jack with Magnetic Module



16.26 x 13.84 x 21.59mm

ARJ11E

RoHS
Compliant

FEATURES:

- Available with or without LED
- Suitable CAT 5 & 6 cable and UTP.
- Comply IEEE 802.3ab
- LAN Magnetic with RJ4
- Suitable for RoHS compliant reflow.

APPLICATIONS:

- 1000 Base-TX LAN
- NIC, LoM and PC

STANDARD SPECIFICATIONS at 25°C

Operating temperature range: 0°C to +70°C **Storage temperature range: -40°C to +85°C**

Part Number	Turns Ratio	EMI Fingers	LEDs	Insertion Loss (dB MAX)	Return Loss (dB MIN @100Ω±15Ω)			
			L/R		0.3-100MHz	1- 30 MHz	40 MHz	50 MHz
ARJ11E-M□ SA-A-B-ΔM2	1CT:1CT	Yes	G/Y	-1.2dB	-16	-13.5	-11.5	-10
ARJ11E-M□ SB-A-B-ΔU2	1CT:1CT	Yes	G/Y	-1.2dB	-16	-13.5	-11.5	-10
ARJ11E-M□ SC-A-B-ΔL2	1CT:1	Yes	G/Y	-1.2dB	-16	-13.5	-11.5	-10
ARJ11E- M□ SD-A-B-ΔM2	1CT:1CT	Yes	G/Y	-1.2dB	-16	-13.5	-11.5	-10
ARJ11E-MASA-M2	1CT:1CT	Yes	NA	-1.2dB	-16	-13.5	-11.5	-10
ARJ11E-MASB-M2	1CT:1CT	Yes	NA	-1.2dB	-16	-13.5	-11.5	-10
ARJ11E-MASC-L2	1CT:1	Yes	NA	-1.2dB	-16	-13.5	-11.5	-10
ARJ11E-MASD-M2	1CT:1CT	Yes	NA	-1.2dB	-16	-13.5	-11.5	-10
ARJ11E-MDSA-A-B-FM2	1CT:1CT	No	G/Y	-1.0dB (1-100MHz)	-16	-13.5 (30-40MHz)	-11.5 (40-50MHz)	-10 (50-80MHz)

Part Number	Crosstalk (dB MIN)			Differential to Common Mode Rejection (dB MIN)			Hipot (Vrms)
	30 MHz	60 MHz	100 MHz	30 MHz	60 MHz	100 MHz	
ARJ11E-M□ SA-A-B-ΔM2	-40	-36	-30	-35	-32	-30	1500
ARJ11E-M□ SB-A-B-ΔU2	-40	-36	-30	-35	-32	-30	1500
ARJ11E-M□ SC-A-B-ΔL2	-40	-36	-30	-35	-32	-30	1500
ARJ11E- M□ SD-A-B-ΔM2	-40	-36	-30	-35	-32	-30	1500
ARJ11E-MASA-M2	-40	-36	-30	-35	-32	-30	1500
ARJ11E-MASB-M2	-40	-36	-30	-35	-32	-30	1500
ARJ11E-MASC-L2	-40	-36	-30	-35	-32	-30	1500
ARJ11E-MASD-M2	-40	-36	-30	-35	-32	-30	1500
ARJ11E-MDSA-A-B-FM2	-40 (0.3-30MHz)	-35 (30-60MHz)	-30 (60-100MHz)	-30 (CMR,1-30MHz)	-25 (CMR,30-60MHz)	-20 (CMR,60-125MHz)	1500

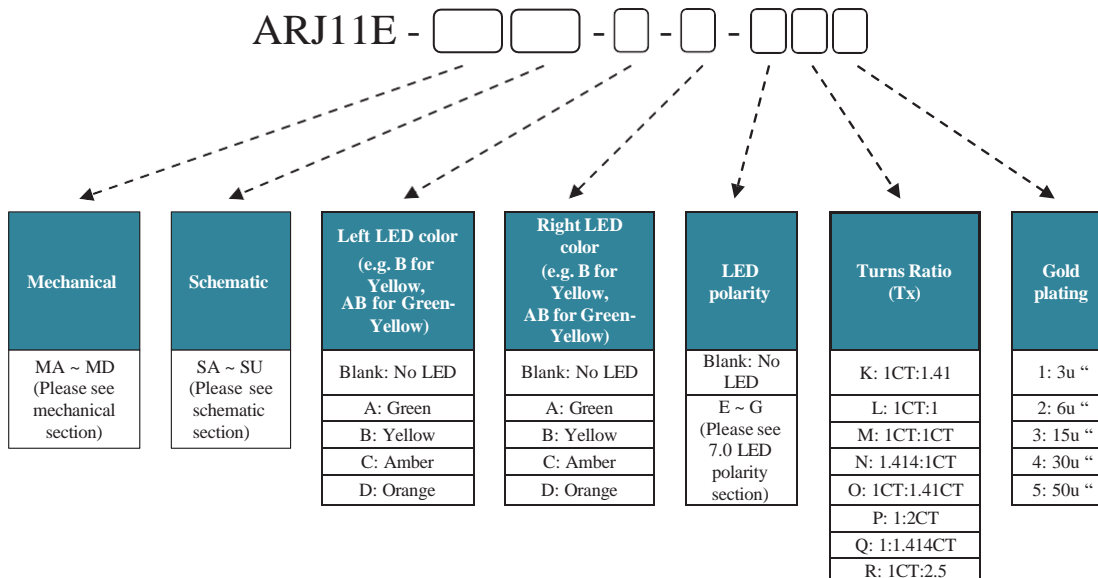
□ : Mechanical Option: B or C

Δ : LED Polarity Option: E, F or G

Contact Abracon for more custom configurations. See options to build a custom configuration.

OPTIONS AND PART IDENTIFICATION

ARJ11E - □ □ - □ - □ - □ □ □



RJ45 1000 Base-TX Jack with Magnetic Module

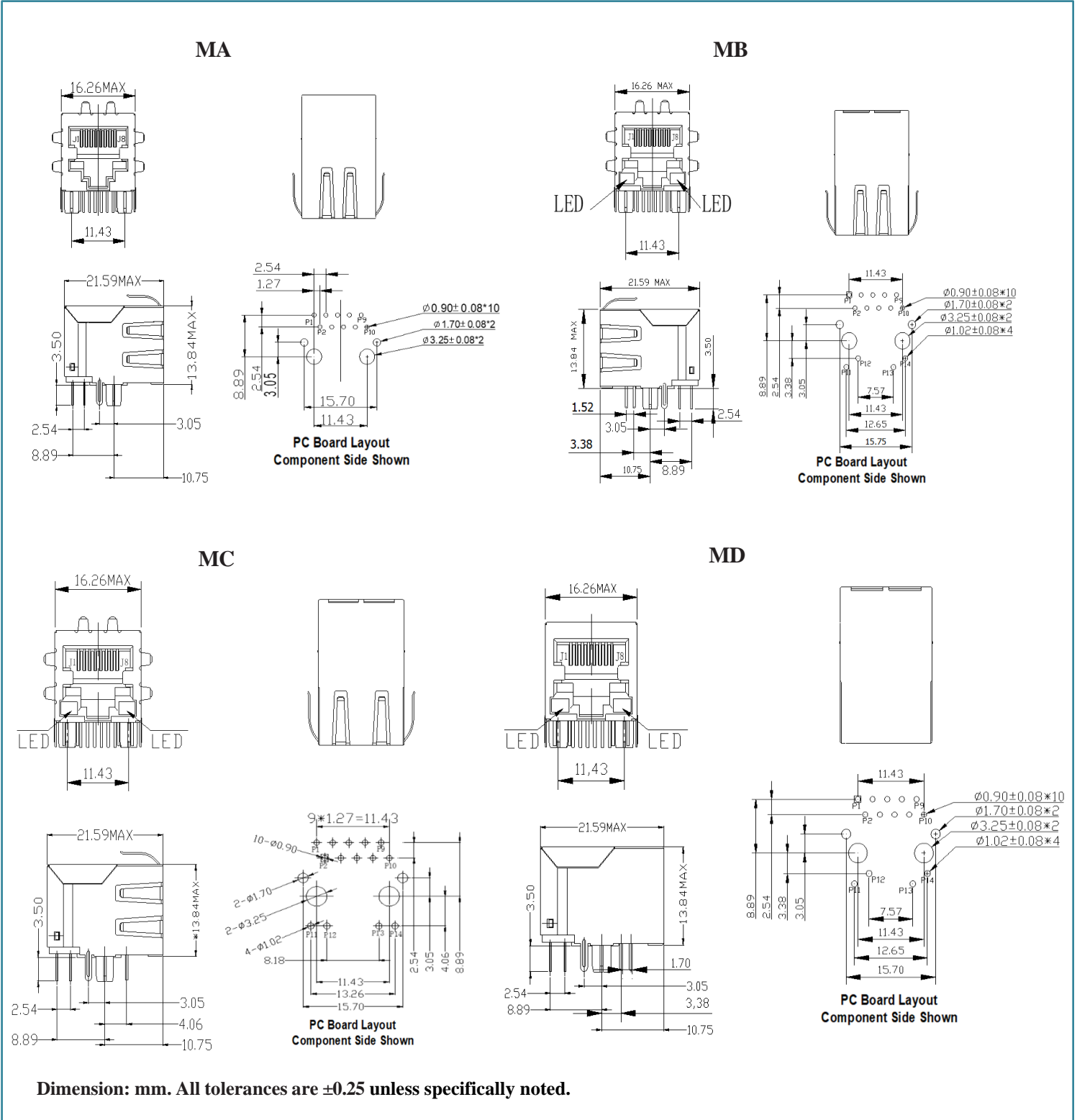
ARJ11E

RoHS
Compliant



16.26 x 13.84 x 21.59mm

MECHANICAL DIMENSIONS



RJ45 1000 Base-TX Jack with Magnetic Module

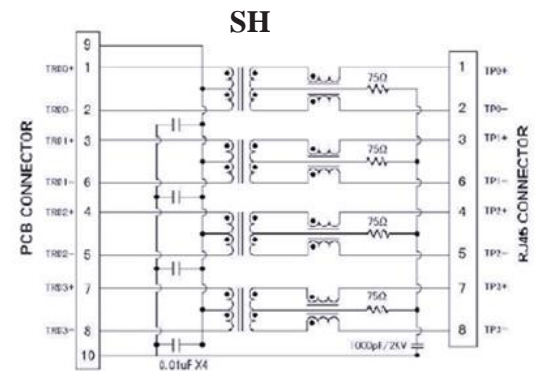
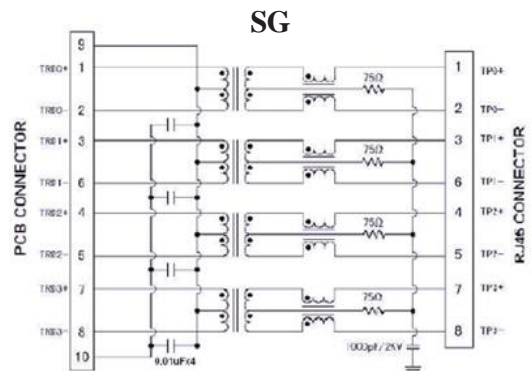
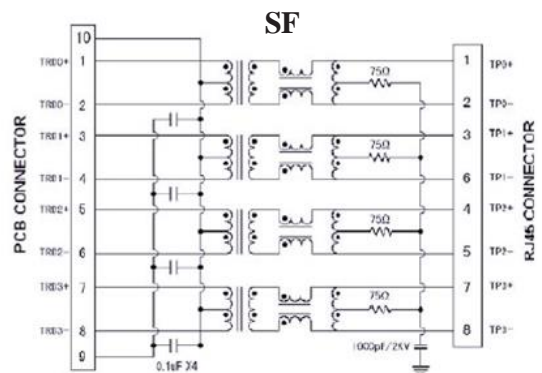
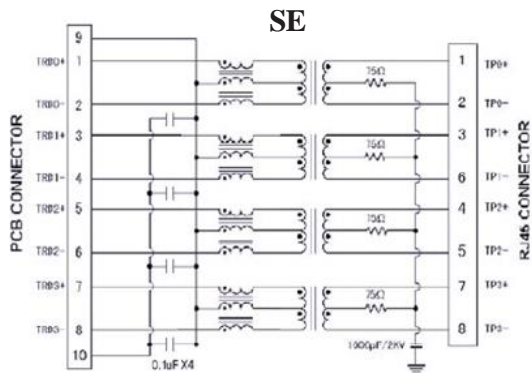
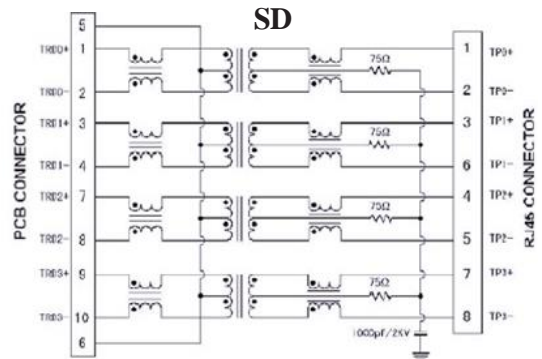
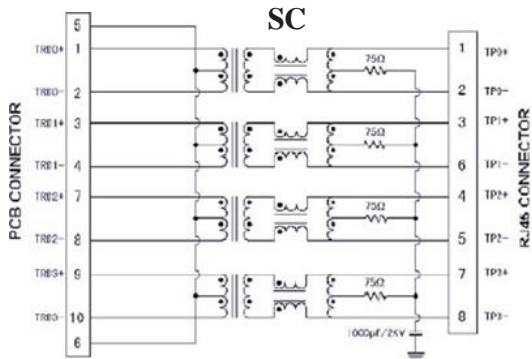
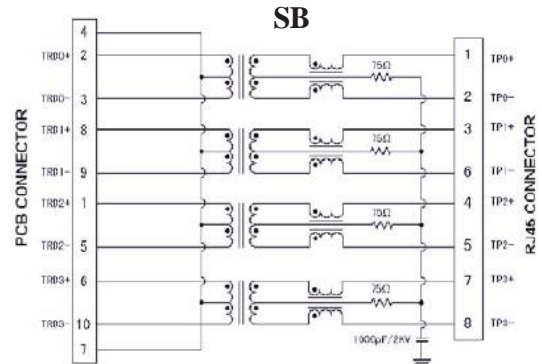
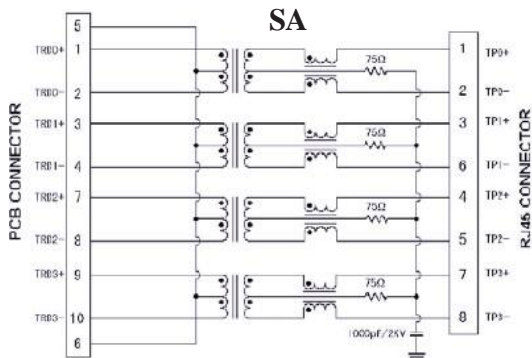


16.26 x 13.84 x 21.59mm

ARJ11E

RoHS
Compliant

SCHEMATICS



RJ45 1000 Base-TX Jack with Magnetic Module

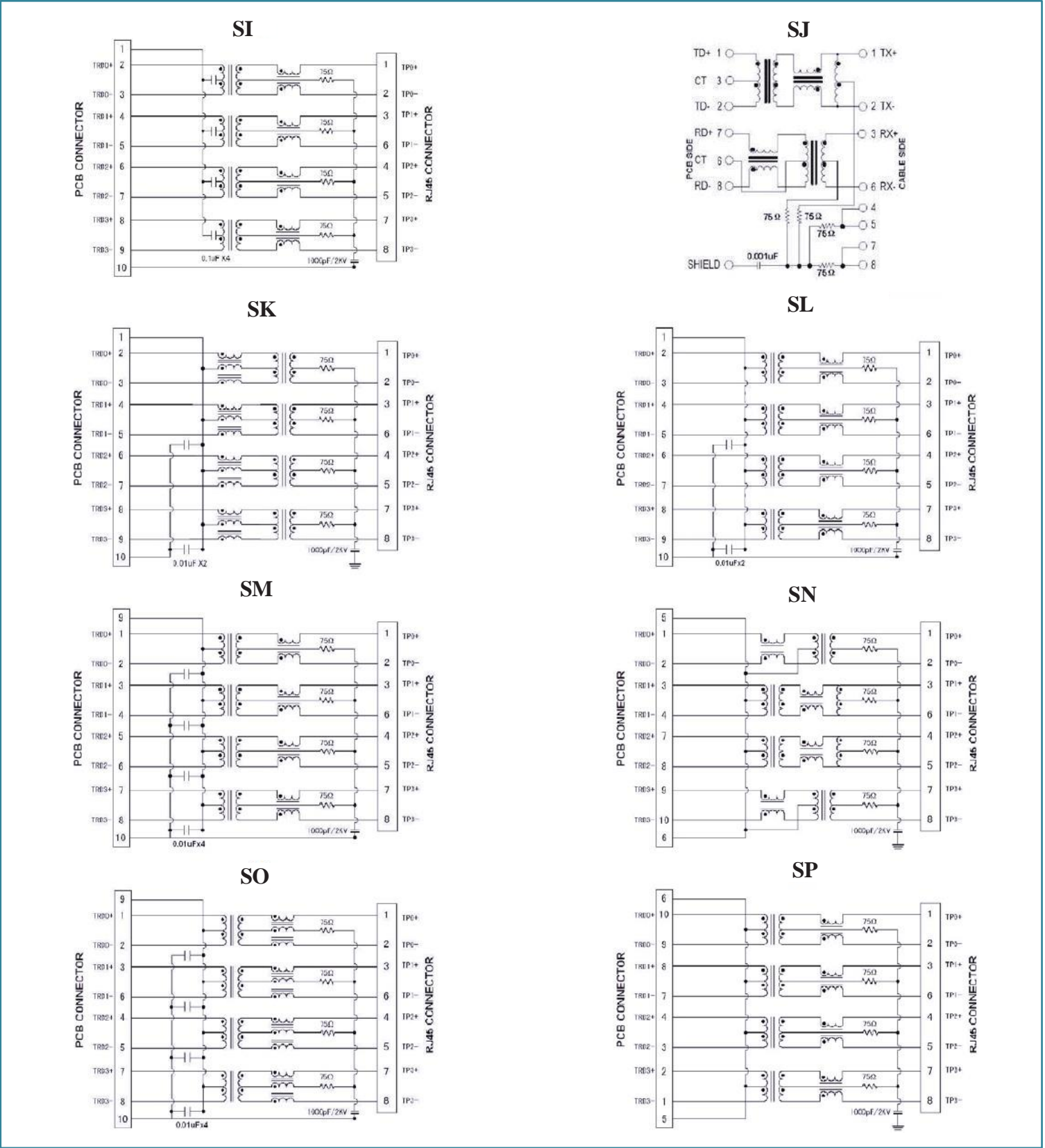


16.26 x 13.84 x 21.59mm

RoHS
Compliant

ARJ11E

SCHEMATICS - continued



ABRACON IS
ISO 9001:2008
CERTIFIED



1501 Hidden Creek Lane Spicewood TX 78751
Phone: 512-371-6159 | Fax: 512-351-8858
For terms and conditions of sales visit: www.abracon.com

Revised: 04/05/2024

RJ45 1000 Base-TX Jack with Magnetic Module

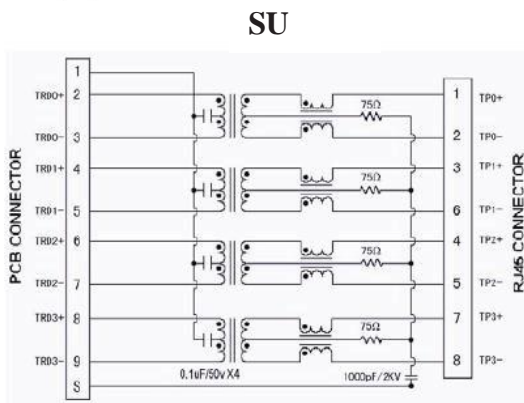
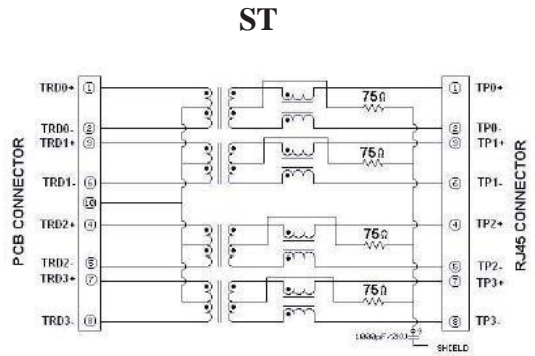
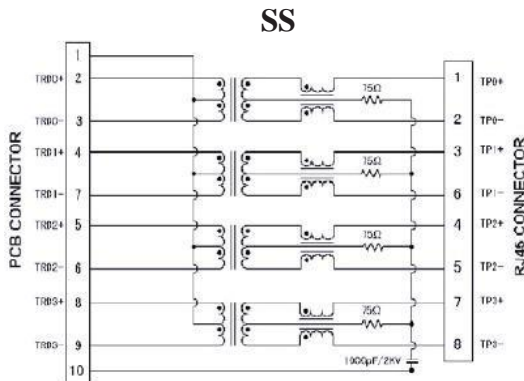
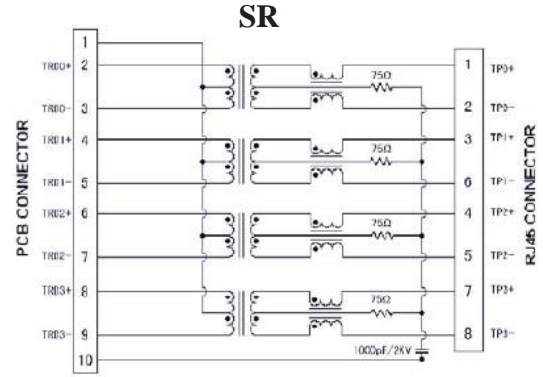
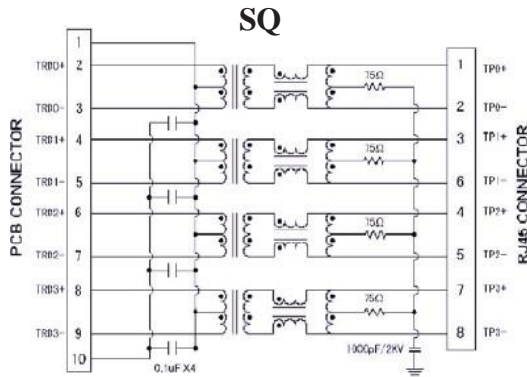
ARJ11E

RoHS
Compliant



16.26 x 13.84 x 21.59mm

SCHEMATICS - continued



RJ45 1000 Base-TX Jack with Magnetic Module

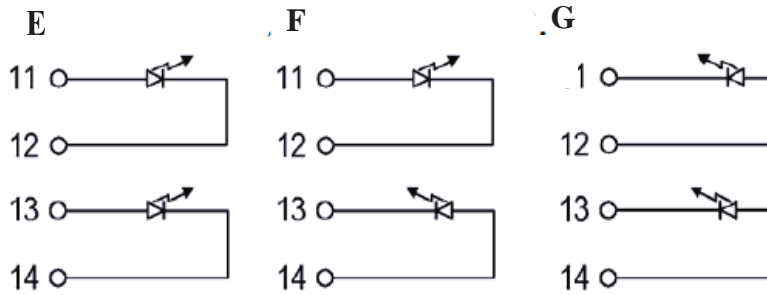
ARJ11E

RoHS
Compliant



16.26 x 13.84 x 21.59mm

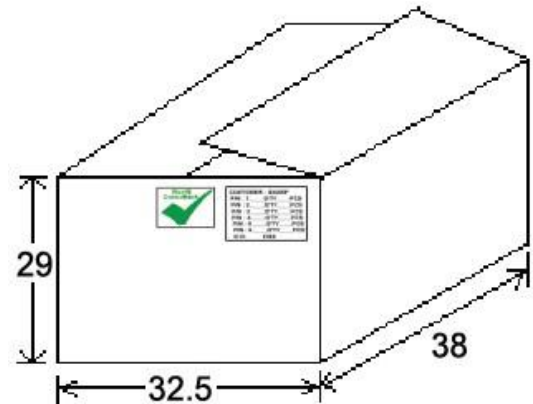
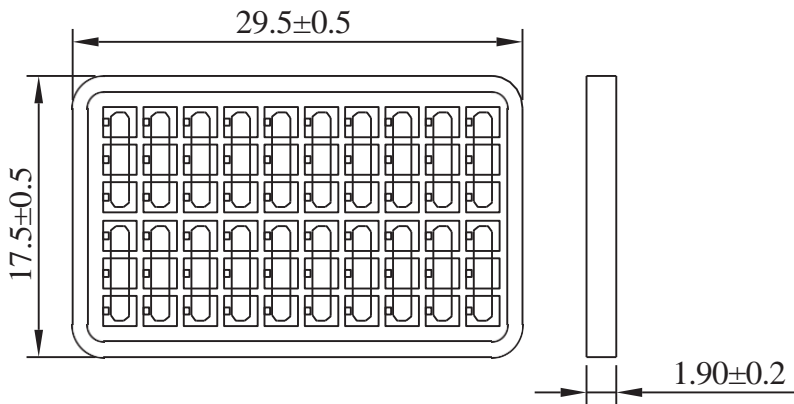
LED POLARITY



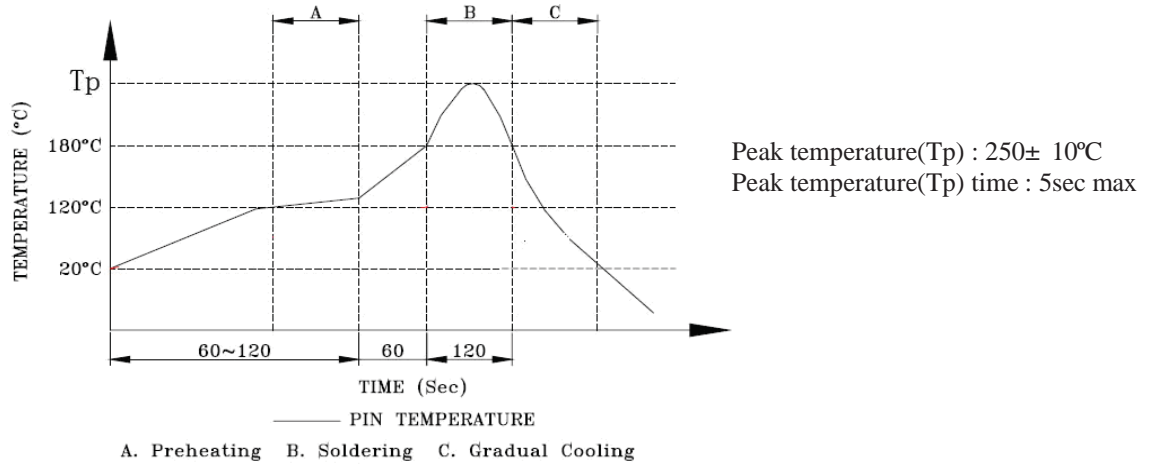
PACKING: 60pcs/tray

Packaging material: PET

Outer carton unit 1320 pcs/ 22 Trays/box



REFLOW PROFILE:



Peak temperature(Tp) time : 5sec max

ATTENTION: Abracon LLC's products are Commercial-Off-The-Shelf (COTS), which are designed, intended and validated for use in commercial, industrial and automotive applications. The customer is responsible for testing and verifying the performance of an Abracon solution to meet their system-level requirements.

ABRACON IS
ISO 9001:2008
CERTIFIED



1501 Hidden Creek Lane Spicewood TX 78751
Phone: 512-371-6159 | Fax: 512-351-8858
For terms and conditions of sales visit: www.abracon.com

Revised: 04/05/2024