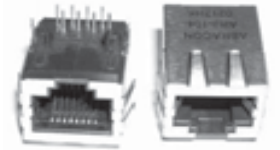


TAP DOWN RJ45 INTEGRATED CONNECTOR

ARJ-101-108

RoHS
Compliant



13.6 x 16.0 x 21.6 mm

FEATURES:

- Cost saving: reduce PCB space and save inventory/assembly cost
- Excellent EMI suppression performance
- Meets IEEE 802.3 standards and FCC mechanical requirements

APPLICATIONS:

- LAN-on-Motherboard (LOM),
- SOHO (ADSL modems), Hubs.
- Suitable for CAT 5 & 6 Fast Ethernet Cable or better UTP

STANDARD SPECIFICATIONS:

Note:

Insertion Loss: -1.0 dB Max @ 1MHz to 100MHz

For ARJ-102, ARJ-103, ARJ-104 and ARJ-108, Return Loss and CMR is only tested in RX side(1:1CT).

Inductance: 350µH min @ 100KHz, 0.1V_{RMS} 8mA DC

Hipot: 1500Vrms/0.5mA/60Sec or 1650Vrms/0.5mA/2Sec

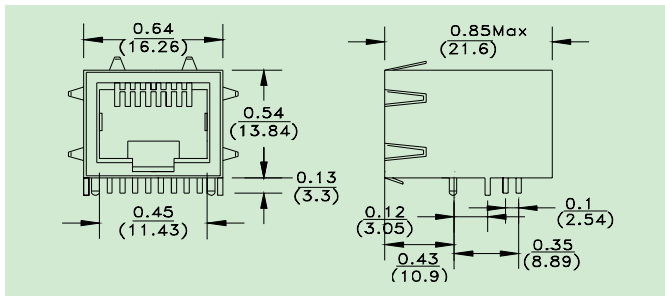
Operating temperature: -40°C to +85°C

D: means with LED version

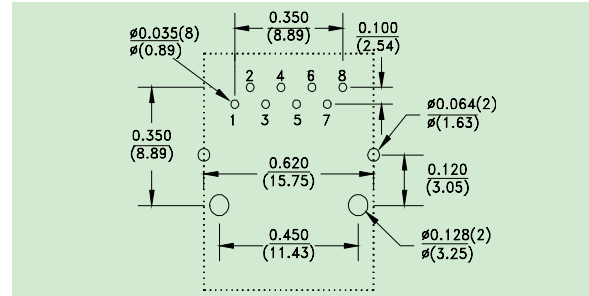
ABRACON P/N: ARJ-101~108
Operating Temperature: - 40 TO + 85°C
Storage Temperature: - 20 TO +125°C

	ARJ-101	ARJ-101D	ARJ-102	ARJ-103	ARJ-104	ARJ-105	ARJ-106	ARJ-107	ARJ-107D	ARJ-108
Turns Ratio(±2%)										
TX	1CT:1CT	1CT:1CT	1.414CT:1CT	2CT:1CT	1CT:1.414CT	1CT:2CT	1CT:1CT	1CT:1CT	1CT:1CT	1CT:2.5CT
RX	1CT:1CT	1CT:1CT	1CT:1CT	1CT:1CT	1CT:1CT	1CT:1CT	1CT:1CT	1CT:1CT	1CT:1CT	1CT: 1CT
Return Loss (dB Typ.)										
1~30MHz	-16	-16	-16	-16	-16	-16	-18	-18	-20/-20	-16
30~60MHz	-13	-13	-13	-13	-13	-13	-16	-16	-15/-17	-13
60~80MHz	-10	-10	-10	-10	-10	-10	-14	-14	-11/-15	-10
Cross Talk (dB Typ.)										
1~60MHz	-40	-40					-30	-35	-35	
60~80MHz	-38	-38					-30	-35	-35	
CMR (dB Typ.)										
1~60MHz	-45/-40	-45/-40	-40	-40	-40	-40	-45/-40	-35	-35	-40
60~80MHz	-40/-35	-40/-35	-35	-35	-35	-35	-40/-35	-35	-35	-35
Figure	A	E	A	A	A	A	B	C	D	A

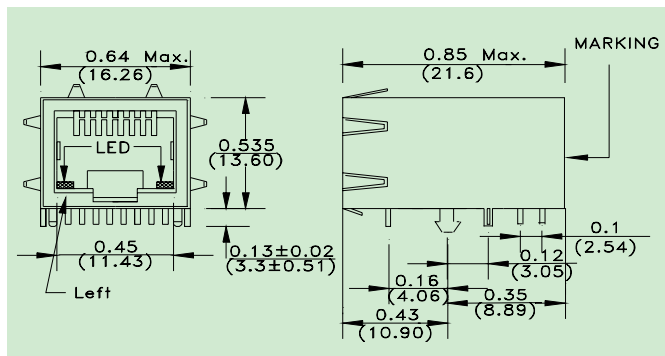
DIMENSIONS WITHOUT LED:



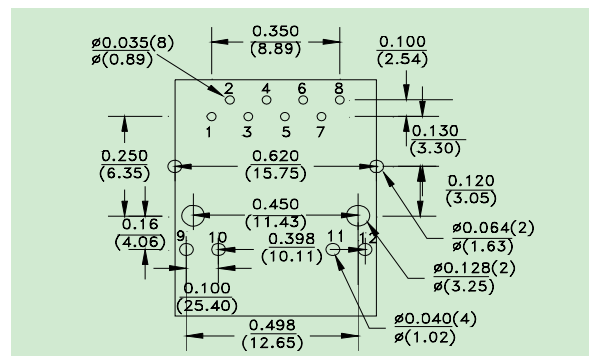
LAND PATTERN WITHOUT LED:



DIMENSIONS WITH LED:



LAND PATTERN WITH LED:



Dimensions: Inches(mm)

ABRACON IS
ISO 9001 / QS 9000
CERTIFIED

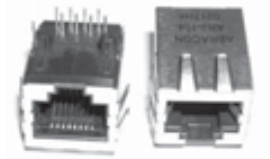


Visit www.abracon.com for Terms & Conditions of Sale **Revised: 05.20.09**
30332 Esperanza, Rancho Santa Margarita, California 92688
tel 949-546-8000 | fax 949-546-8001 | www.abracon.com

TAP DOWN RJ45 INTEGRATED CONNECTOR

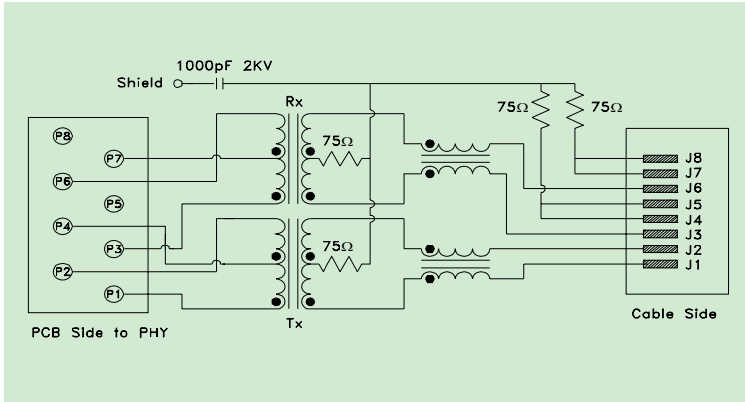
ARJ-101-108

RoHS
Compliant

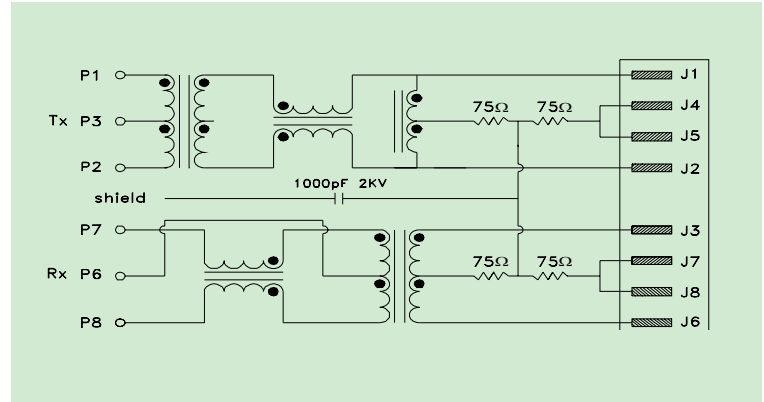


13.6 x 16.0 x 21.6 mm

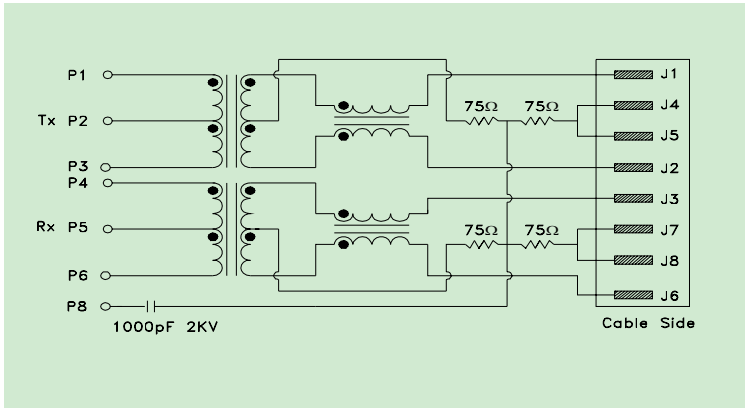
SCHEMATIC A:



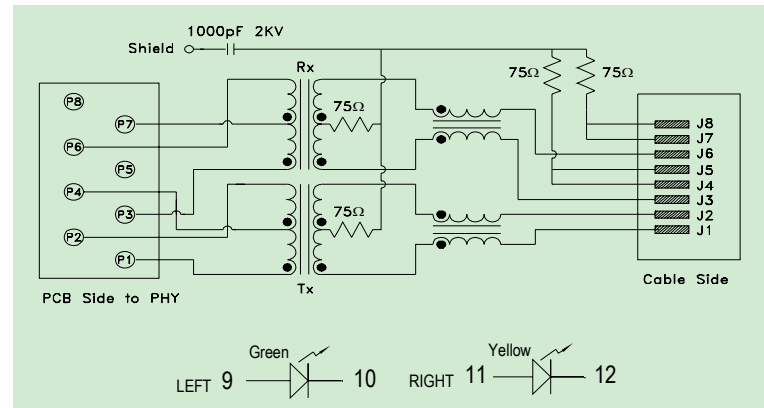
SCHEMATIC D:



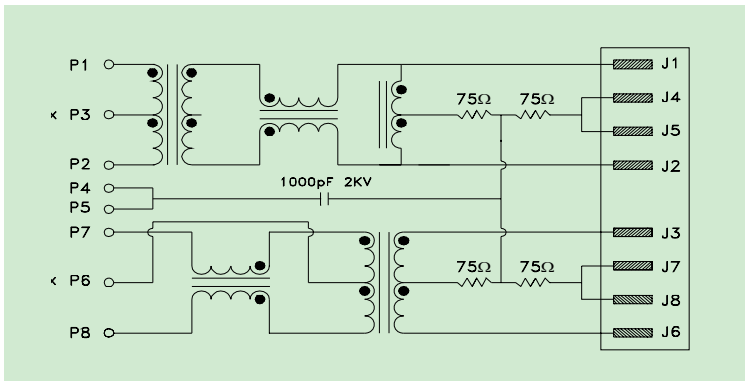
SCHEMATIC B:



SCHEMATICS E for ARJ-101D



SCHEMATIC C:



• Add D after the P/N for with LED (ARJ-101D-ARJ-108D)
2.1V 10mA forward typical

