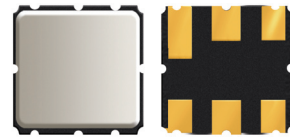


455.0MHz SMD SAW FILTER

AFS455.0W04-TS3



RoHS
Compliant



3.8 x 3.8 x 1.5mm

FEATURES:

- 3.8 x 3.8 x 1.5mm SMD package
- Low pass band insertion loss
- Input/output 50ohm terminated
- High input power

APPLICATIONS:

- CDMA450
- RF SAW filter for Telecommunication
- PDA

STANDARD SPECIFICATIONS:

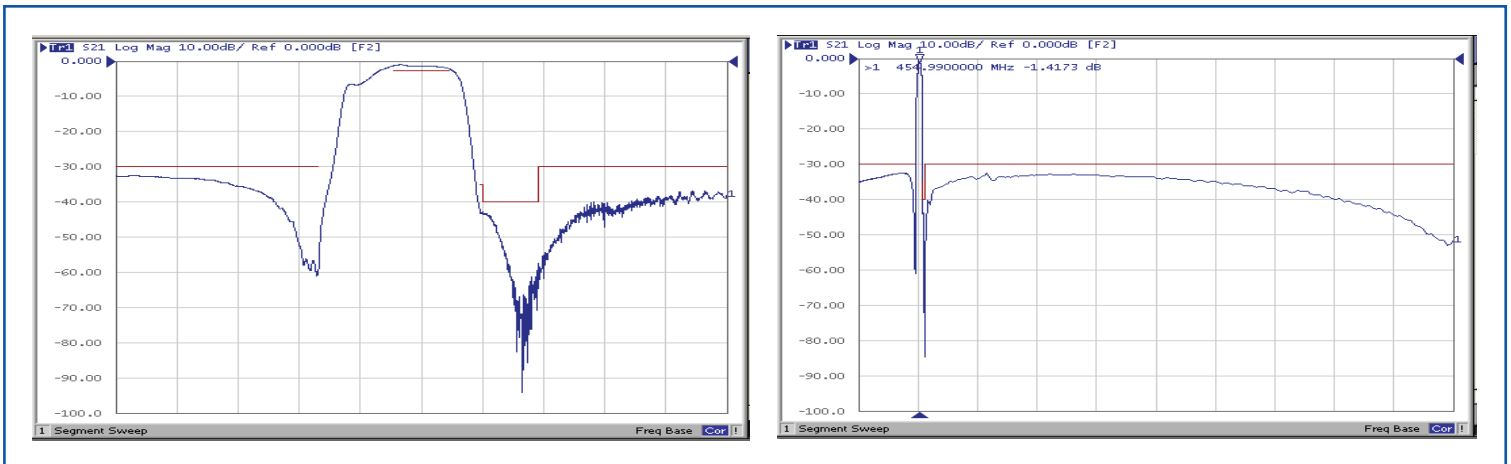
MAXIMUM RATINGS

Item	Value
Operation Temperature Range	-30°C to + 80°C
Storage Temperature Range	-40°C to + 85°C
DC Permissive Voltage	10V DC max.
Maximum Input Power	27 dBm

ELECTRICAL CHARACTERISTICS

Item	Frequency (MHz)	Specification
Center Frequency (fo)	455.0	
Insertion Loss	452.5 ~ 457.5	2.8 dB max.
VSWR	452.5 ~ 457.5	1.7 : 1 max.
Relative Loss	0.3 ~ 442.6	30 dB min
	462.5 ~ 466.2	40 dB min
	466.2 ~ 1565.0	30 dB min
	1565.0 ~ 1585.0	30 dB min
	1585.0 ~ 1800.0	30 dB min
Temperature Coefficient of Frequency		-30ppm/°C
Terminating Source Impedance		50Ω
Terminating Load Impedance		50Ω

FREQUENCY CHARACTERISTICS:



ABRACON IS
ISO 9001 / QS 9000
CERTIFIED



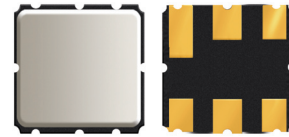
Visit www.abracon.com for Terms & Conditions of Sale **Revised: 11.19.09**
30332 Esperanza, Rancho Santa Margarita, California 92688
tel 949-546-8000 | fax 949-546-8001 | www.abracon.com

455.0MHz SMD SAW FILTER

AFS455.0W04-TS3

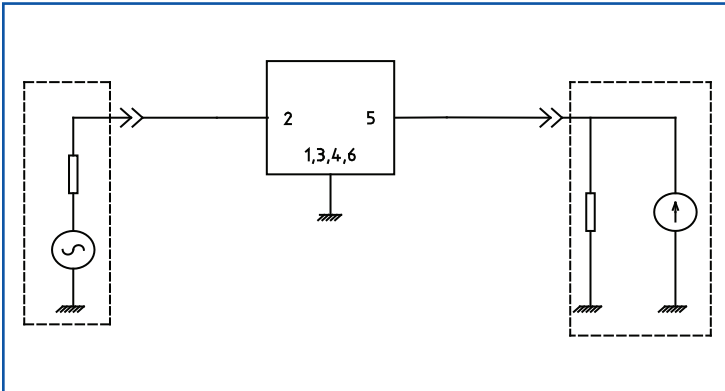


RoHS
Compliant

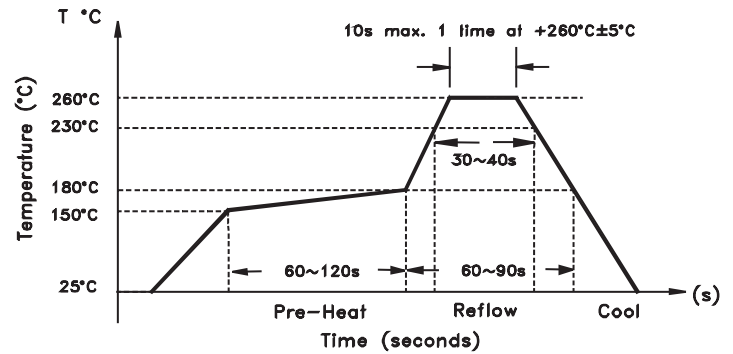


3.8 x 3.8 x 1.5mm

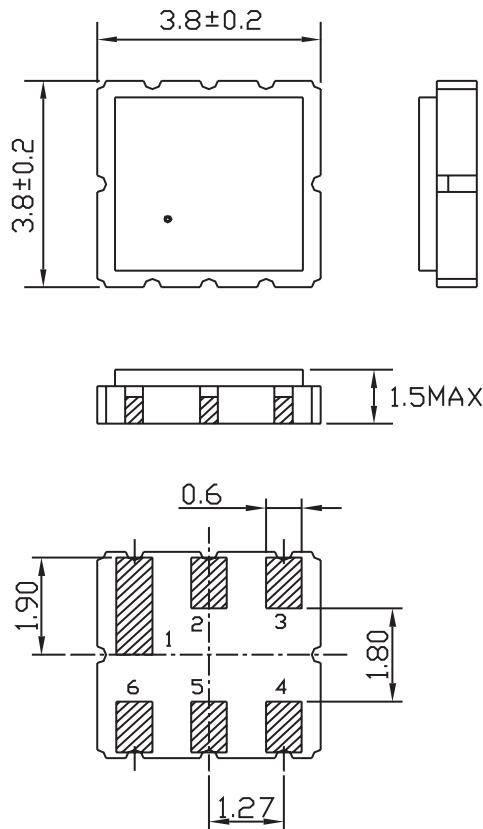
TEST CIRCUIT:



REFLOW PROFILE:



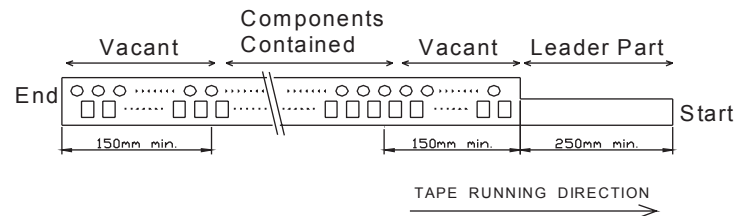
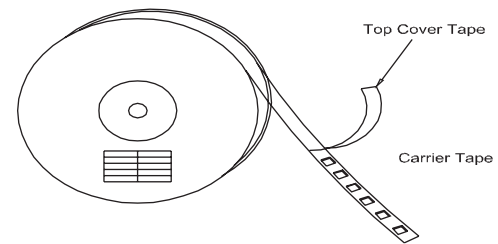
OUTLINE DIMENSIONS:



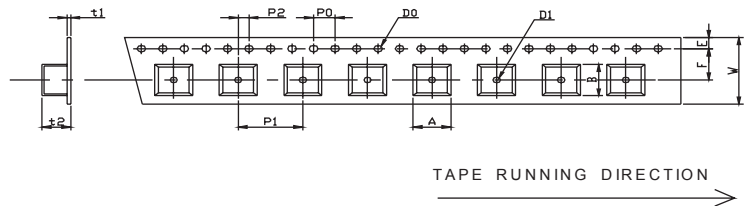
Dimension : mm

Pin No.	Function
Pin 2	Input
Pin 5	Output
Other	Ground

TAPE & REEL: Tape and reel (1,000pcs/reel)



TAPE & REEL DIMENSION AND PARTS DIRECTION



Dimension : mm

W	F	E	P0	P1	P2	D0	D1	t1	t2	A	B
12.0	5.5	1.75	4.0	8.0	2.0	Φ1.5	Φ1.5	0.31	1.95	4.1	4.1
±0.3	±0.1	±0.1	±0.2	±0.1	±0.2	±0.1	±0.25	max.	max.	max.	max.

NOTE: Abracon manufactured products are intended for general commercial and industrial use. For applications requiring high reliability and/or presenting extreme operating environment, written consent & authorization from Abracon is required.