

# MULTI-LAYER DIELECTRIC FILTER

ADFC21 Series



RoHS  
Compliant



2.0 x 1.25 x 0.95mm

## STANDARD SPECIFICATIONS:

PARAMETERS	
ABRACON P/N	ADFC21 Series
Operating Temperature	-40°C to +85°C
Storage Temperature	-40°C to +85°C
Impedance @ Input/Output	50Ω
Input Power	0.5W
Reliability (MTBF)	1x10 <sup>-6</sup> /pc.hr

ADFC21-4885.00 - C			
CHARACTERISTICS	UNIT	TYP.	TOL.
Center Frequency Fc	MHz	4885.00	*+/-5.0
Bandwidth	MHz	+/-62.5	*+/-5.0
Insertion Loss	dB	≤2.5	*+/-0.5
Ripple	dB	≤1.0	*≤0.5
V.S.W.R.	BW	≤2.0	*+/-0.2
Relative Attenuation			
1607 ~ 1649 MHz	dB	≥30	*+/-3.0
3214 ~ 3298 MHz	dB	≥30	*+/-3.0
6429 ~ 6596 MHz	dB	≥28	*+/-3.0

\*Post Environmental Tolerance

ADFC21-5510.00 - D			
CHARACTERISTICS	UNIT	TYP.	TOL.
Center Frequency Fc	MHz	5510.00	*+/-5.0
Bandwidth	MHz	+/-362.5	*+/-5.0
Insertion Loss	dB	≤2.3	*+/-0.5
Ripple	dB	≤1.2	*+/-0.5
V.S.W.R.	BW	≤2.0	*+/-0.2
Relative Attenuation			
@ 4000 MHz	dB	≥30	*+/-3.0
@ 4600 MHz	dB	≥30	*+/-3.0
@ 11800 MHz	dB	≥25	*+/-3.0

\*Post Environmental Tolerance

ADFC21-5800.00 - E			
CHARACTERISTICS	UNIT	TYP.	TOL.
Center Frequency Fc	MHz	5800.00	*+/-5.0
Bandwidth	MHz	+/-62.5	*+/-5.0
Insertion Loss	dB	≤2.5	*+/-0.5
Ripple	dB	≤1.0	*≤0.5
V.S.W.R.	BW	≤2.0	*+/-0.2
Relative Attenuation			
3000 ~ 3400 MHz	dB	≥35	*+/-3.0
@ 6800 MHz	dB	≥10	*+/-3.0
@ 8500 MHz	dB	≥25	*+/-3.0

\*Post Environmental Tolerance

# MULTI-LAYER DIELECTRIC FILTER

ADFC21 Series

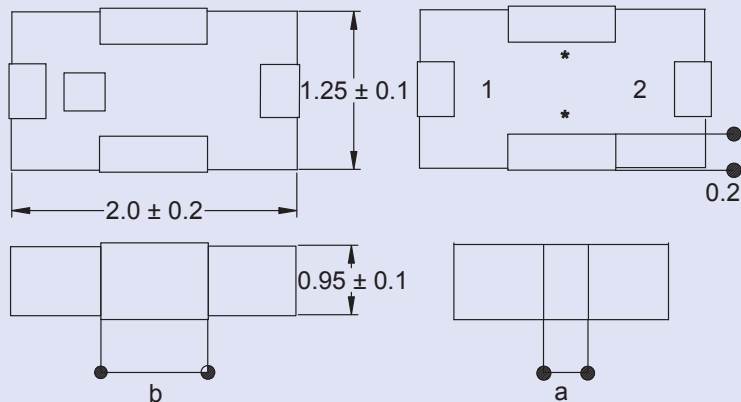


RoHS  
Compliant



2.0 x 1.25 x 0.95mm

## OUTLINE DRAWING:



### TYPE A

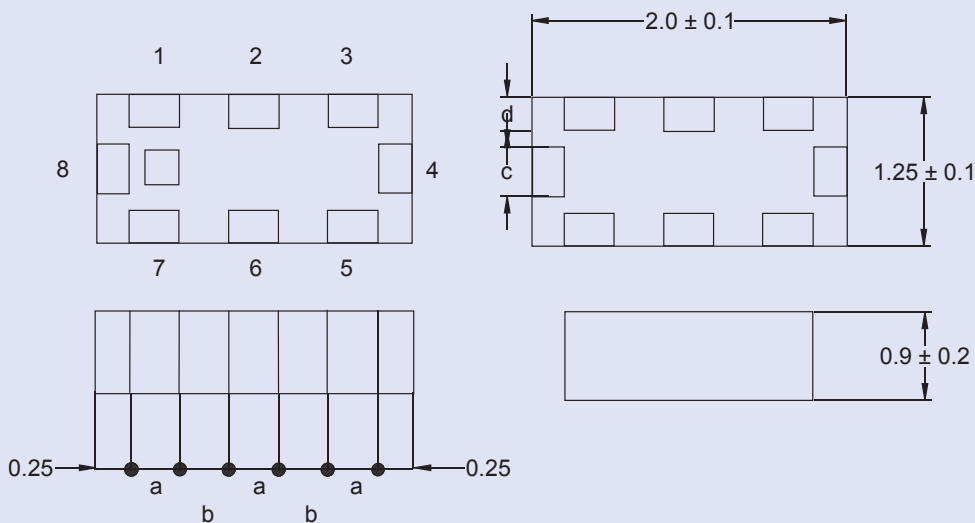
1 : Input

2 : Output

\* GND

a:  $0.4 \pm 0.1$ mm

b:  $0.8 \pm 0.1$ mm



Input 8

Output 4

NC 2,6

GND 1,3,5,7

a:  $0.3 \pm 0.1$ mm

b:  $0.3 \pm 0.1$ mm

c:  $0.3 \pm 0.1$ mm

d:  $0.3 \pm 0.1$ mm

Dimensions: inch (mm)

T= Tape and Reel (1,000pcs/reel)