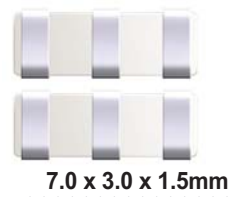


10.7M CERAMIC FILTER

ASFC 10.7M

* RoHS COMPLIANT



7.0 x 3.0 x 1.5mm

FEATURES:

- Small size, Light weight
- Low loss and high attenuation.

APPLICATIONS:

- FM receivers
- Digital transmission systems
- Communications applications.

STANDARD SPECIFICATIONS:

PARAMETERS	
Frequency Range	10.700MHz ± 30KHz
Operating Temperature	- 20° C to + 85° C
Storage Temperature	- 40° C to + 85° C

STANDARD					
PART NUMBER	3dB BANDWIDTH (KHz)	20dB BANDWIDTH (KHz) max.	INSERTION LOSS (dB) max.	SPURIOUS ATTENUATION N 9-12MHz	INPUT/OUTPUT IMPEDANCE (Ω)
ASFC10.7MA	280 ± 50	650	6	30	330
ASFC10.7MS	230 ± 50	600	6	30	330
ASFC10.7MJ	150 ± 40	430	10	30	330
LOW-LOSS TYPE					
PART NUMBER	3dB BANDWIDTH (KHz)	20dB BANDWIDTH (KHz) max.	INSERTION LOSS (dB) max.	SPURIOUS ATTENUATION N 9-12MHz	INPUT/OUTPUT IMPEDANCE (Ω)
ASFC10.7MA19	350 min.	950	3.0 ± 2.0	20	470
ASFC10.7MC40	180 ± 40	470	4.0 ± 2.0	35	330

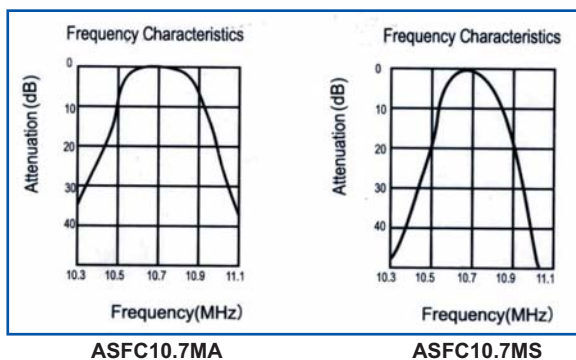
MARKING:

- MXXX (XXX stands for suffix such as A, S, J, A19 or C40)

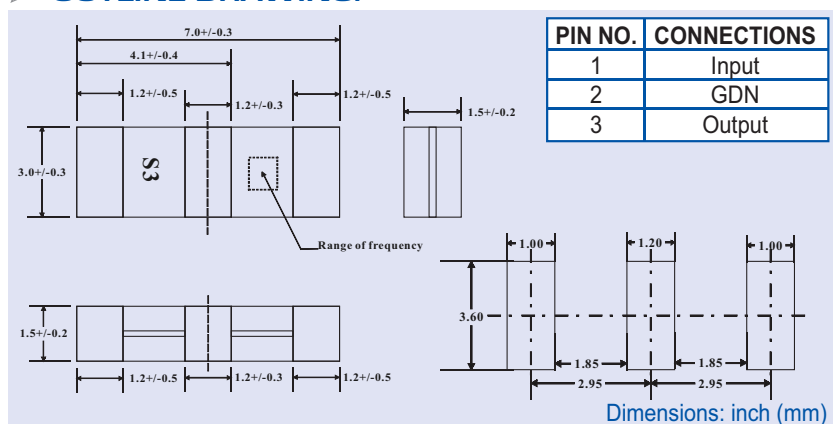
ORDERING INFORMATION:

ASFC10.7MXXX - Packaging
-T Tape and Reel

FREQUENCY CHARACTERISTICS:



OUTLINE DRAWING:



TEST CIRCUIT:

