

4.5MHz CERAMIC FILTER

AFC4.5M

Pb in ceramic (exempt per RoHS 2002/95/EC Annex (7)).

RoHS
Compliant



9.0 x 4.0 x 7.0 mm

FEATURES:

- Small size, Light weight
- Low loss/High attenuation option available
- Low cost thru hole package

APPLICATIONS:

- FM receivers
- Digital transmission systems
- Communications applications

STANDARD SPECIFICATIONS:

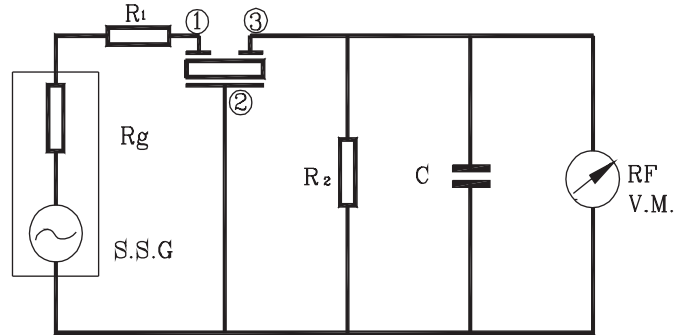
MAXIMUM RATINGS

Item	Requirement
Withstanding Voltage(V)	50(DC, 1min)
Insulation Resistance Ri (MΩ) min.	100(10V, 1min)
Operating temperature	-25°C ~ +85°C
Storage temperature	-40°C ~ +85°C

ELECTRICAL CHARACTERISTICS

Item	Requirement
Nominal Center Freq. Fn (MHz)	4.500
3dB Band Width (kHz) min.	Fn±60
20dB Band Width (kHz) max.	600
Insertion Loss (dB) max.	6.0
Spurious Response (dB) min.	30 (0 ~ Fn)
	15 (Fn ~ 7.0MHz)
	30 (7.0 ~ 10.0MHz)
Input/Output Impedance (Ω)	1000
Temperature Coefficient of Frequency (ppm/°C)	±100 (Center Freq. drift, -25°C ~ +85°C)

TEST CIRCUIT



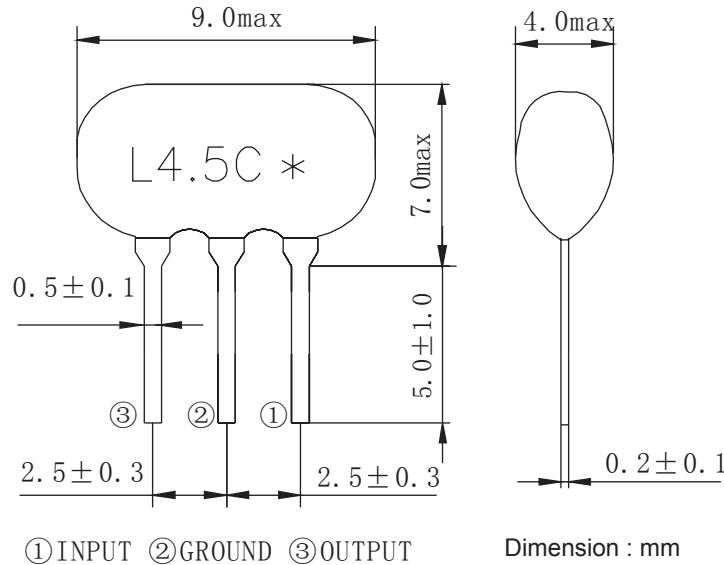
Test conditions:

Parts shall be tested under the condition (Temp.: 20 ± 15°C, Humidity: 65±20% R.H.) unless the standard condition (Temp.: 25±2°C, Humidity: 65±5% R.H.) is regulated to measure

Rg+R1=R2= Input/Output Impedance (Ω)

C=10pF (Including stray capacitance and capacitance of RF voltagemeter)

OUTLINE DIMENSIONS:



NOTE: Abracon manufactured products are intended for general commercial and industrial use. For applications requiring high reliability and/or presenting extreme operating environment, written consent & authorization from Abracon is required.