

Automotive & Industrial Grade Glass-Sealed Ceramic Base SMD Crystal



ABM3CAIG

Pb in glass
(exempt 7(c) - I per RoHS II 2011/65/EU Annex)

5.0 x 3.2 x 1.3 mm
RoHS/RoHS II Compliant
MSL = N/A: Not Applicable

Features

- AEC-Q200 Qualified
- Automotive Grade 0: -40°C to +150°C
- TS16949 Production Line Certified
- PPAP Available Upon Request
- Hermetically Glass-Sealed Ceramic Package
- RoHS/RoHS II Compliant

Applications

- Infotainment Systems
- Keyless Entry & Startup
- GPS & Navigation
- Comfort control
- ADAS (Advanced Driver Assistance Systems)
- Vehicle to Vehicle Communication
- LiDAR (Light Detection and Ranging)
- In-vehicle Networking
- Powertrain & Drive Control
- Power Control & Conversion
- Industrial Control & Automation

Electrical Specifications

Parameters	Min.	Typ.	Max.	Units	Notes
Frequency Range	8.000		20.000	MHz	
Operation Mode	Fundamental				
Operating Temperature	-40		+150	°C	Option "blank"; See options
	-40		+125		Option "K"; See options
Storage Temperature	-40		+150	°C	Option "blank"
	-40		+125		Options "K, J, D, N"
Frequency Tolerance @ +25°C	-50		+50	ppm	Option "blank"; See options
Frequency Stability over the Operating Temperature (ref. to +25°C)	-100		+100	ppm	Option "blank"; See options
	-150		+150		Option "R"; See options
Equivalent series resistance (R1)			300	Ω	8.000 – 9.999MHz
			100		10.000 – 15.999MHz
			60		16.000 – 20.000MHz
Shunt capacitance (C0)			3.0	pF	
Load capacitance (CL)		18		pF	Option "blank"; See options
Drive Level		10	100	μW	
Aging	-2		+2	ppm	@25°C± 3°C First year
Insulation Resistance	500			MΩ	@100 Vdc ± 15V

Automotive & Industrial Grade Glass-Sealed Ceramic Base SMD Crystal

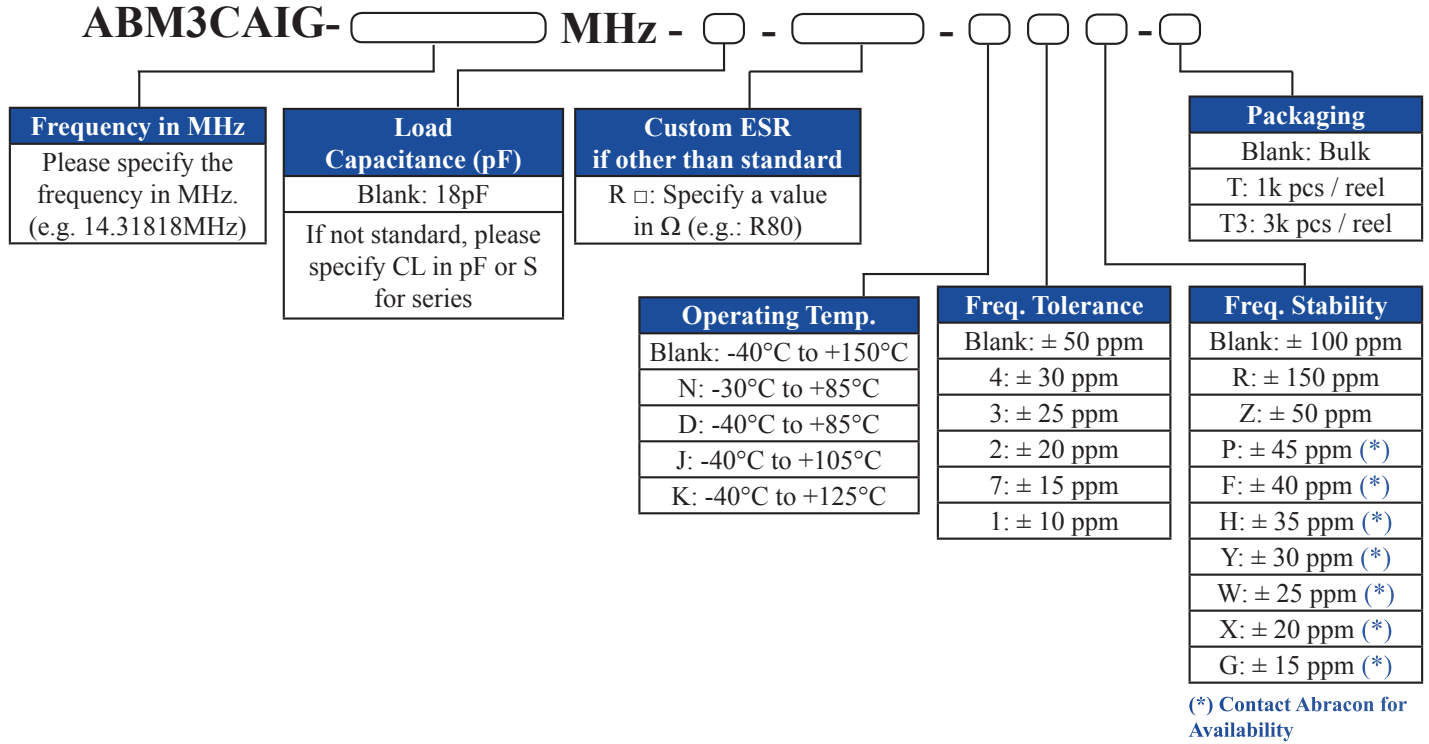


ABM3CAIG

Pb in glass
(exempt 7(c) - I per RoHS II 2011/65/EU Annex)

5.0 x 3.2 x 1.3 mm
RoHS/RoHS II Compliant
MSL = N/A: Not Applicable

Options and Part Identification (left blank if standard)



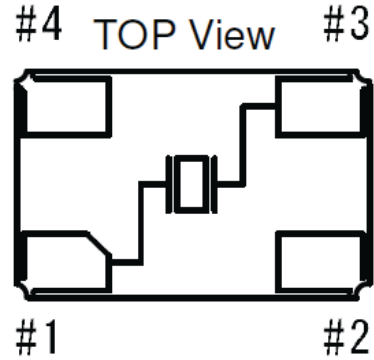
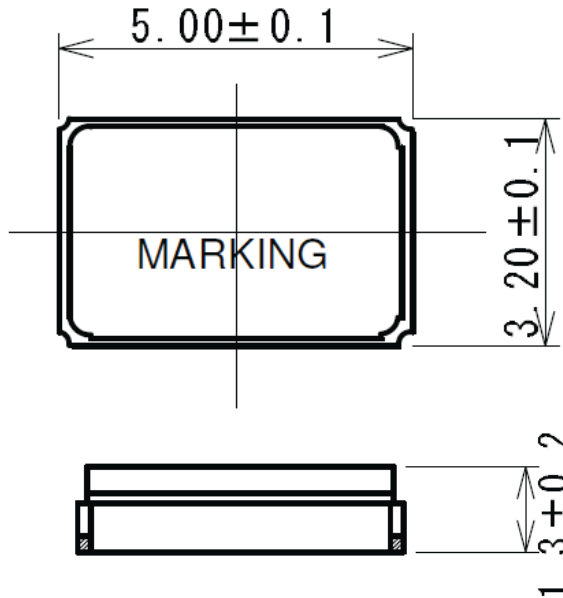


ABM3CAIG

Pb in glass
(exempt 7(c) - I per RoHS II 2011/65/EU Annex)

5.0 x 3.2 x 1.3 mm
RoHS/RoHS II Compliant
MSL = N/A: Not Applicable

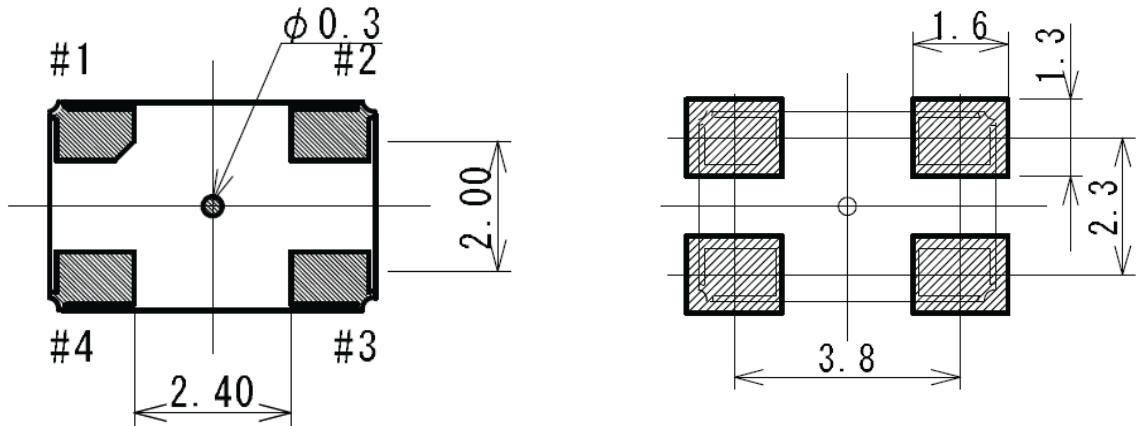
Mechanical Dimensions



Pin #1: Crystal
Pin #3: Crystal

Pin #2: GND (*)
Pin #4: GND (*)
(* Electrically connected to lid)

Recommended Land Pattern



Note: Due to availability of raw materials, this part may be manufactured with the chamfer on pin 1 or pin 4. Be advised that this does not affect the electrical characteristics of the crystal in any way.

Dimensions: mm

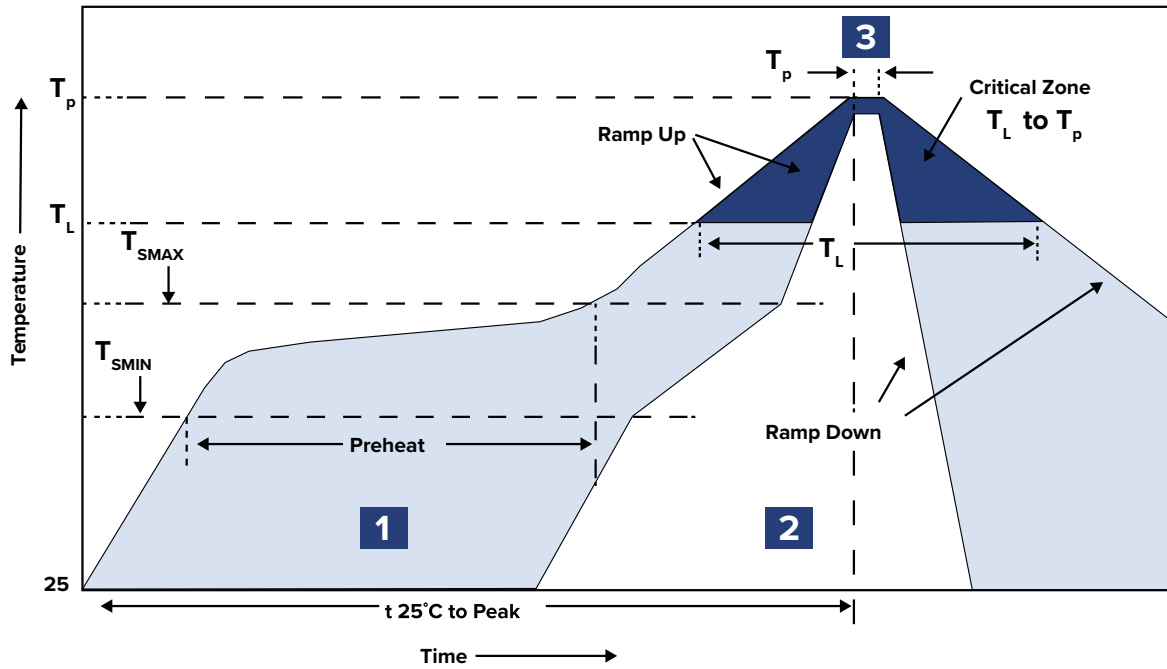


ABM3CAIG

Pb in glass
(exempt 7(c) - I per RoHS II 2011/65/EU Annex)

5.0 x 3.2 x 1.3 mm
RoHS/RoHS II Compliant
MSL = N/A: Not Applicable

Reflow Profile



Zone	Description	Temperature	Time
1	Preheat / Soak	$T_{SMIN} \sim T_{SMAX}$ $150^\circ C \sim 180^\circ C$	60 ~ 120 sec.
2	Reflow	T_L $230^\circ C$	30 ~ 40 sec.
3	Peak heat	T_P $260^\circ C \pm 5^\circ C$	10 sec. MAX



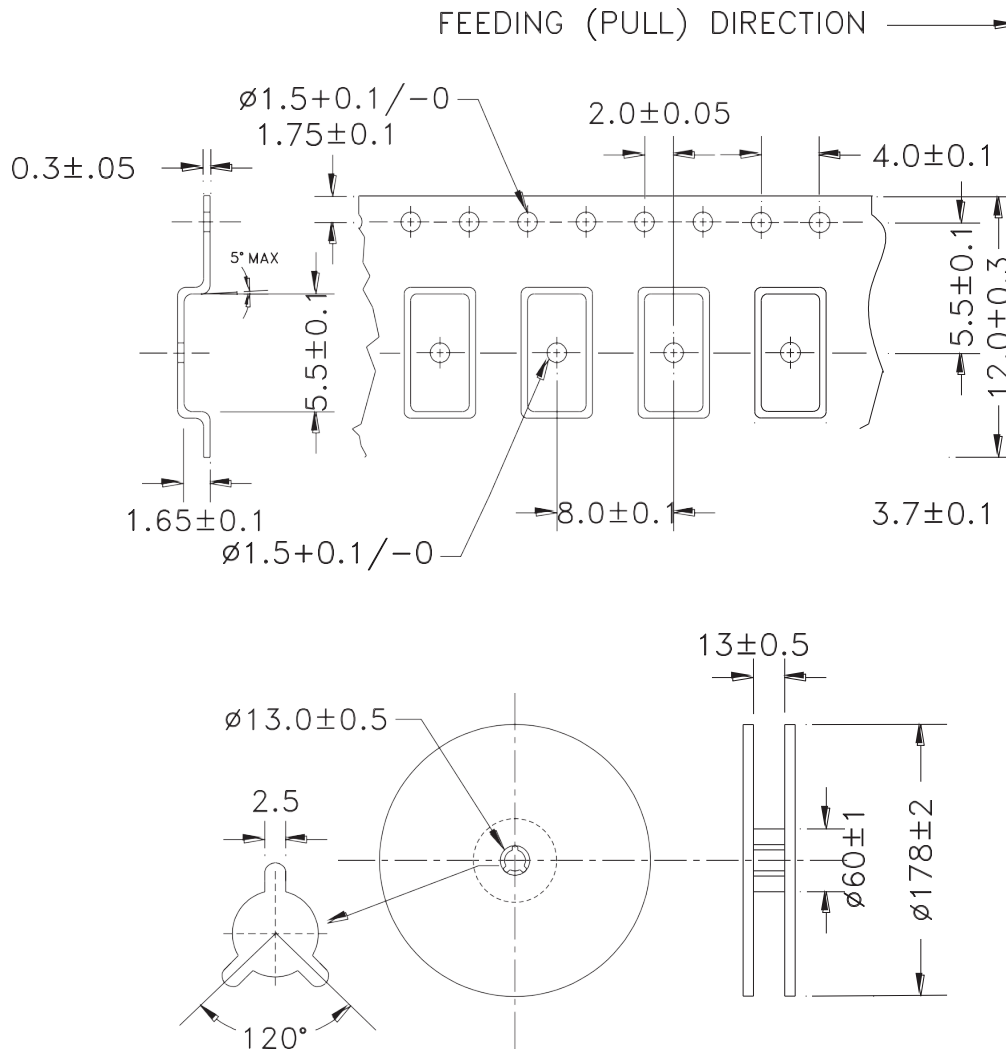
ABM3CAIG

Pb in glass
(exempt 7(c) - I per RoHS II 2011/65/EU Annex)

5.0 x 3.2 x 1.3 mm
RoHS/RoHS II Compliant
MSL = N/A: Not Applicable

Packaging

T: 1000 pcs/reel
T3: 3000pcs/reel



Dimensions: mm

ATTENTION: Abracon LLC's products are COTS – Commercial-Off-The-Shelf products; suitable for Commercial, Industrial and, where designated, Automotive Applications. Abracon's products are not specifically designed for Military, Aviation, Aerospace, Life-dependent Medical applications or any application requiring high reliability where component failure could result in loss of life and/or property. For applications requiring high reliability and/or presenting an extreme operating environment, written consent and authorization from Abracon LLC is required. Please contact Abracon LLC for more information.