

# 110.592 MHz SAW Filter

AFS110.592W01-TD01



RoHS  
Compliant



11.3 x 4.8 x 3.5 mm

## FEATURES:

- Compact size resistance weld sealed package
- No polarity

## APPLICATIONS:

- Pager (Double Super)
- Cordless phone

## STANDARD SPECIFICATIONS:

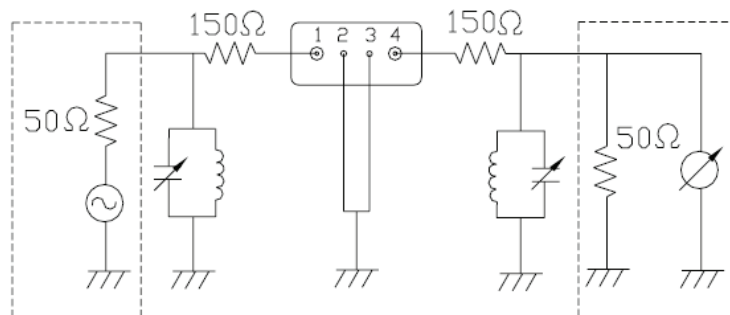
### Maximum Ratings

Item	Value
Operating Temperature Range	-40°C to +80°C
Storage Temperature Range	-40°C to +85°C
DC Voltage	10V DC max.
Maximum Input Power	0 dBm

### Electrical Characteristics

Parameters	Minimum	Typical	Maximum	Units	Notes
Center Frequency ( $f_0$ )	-----	110.592	-----	MHz	
3dB Bandwidth (from $f_0$ )	±576	-----	-----	kHz	
Insertion Loss (at minimum loss point)	-----	-----	4.5	dB	
Stopband Attenuation (from peak level)	50	-----	-----	dB	$f_0 - 3 \times 1.728\text{MHz}$
	44	-----	-----		$f_0 - 2 \times 1.728\text{MHz}$
	31	-----	-----		$f_0 - 1.728\text{MHz}$
	20	-----	-----		$f_0 + 1.728\text{MHz}$
	40	-----	-----		$f_0 + 2 \times 1.728\text{MHz}$
	42	-----	-----		$f_0 + 3 \times 1.728\text{MHz}$
Group Delay Time Deviation (within $f_0 \pm 576\text{kHz}$ )	-----	-----	0.75	μs	
Terminating Impedance	-----	200/1.2	-----	Ω/μH	

## TEST CIRCUIT



# SMD 110.592 MHz SAW Filter

AFS110.592W01-TD01

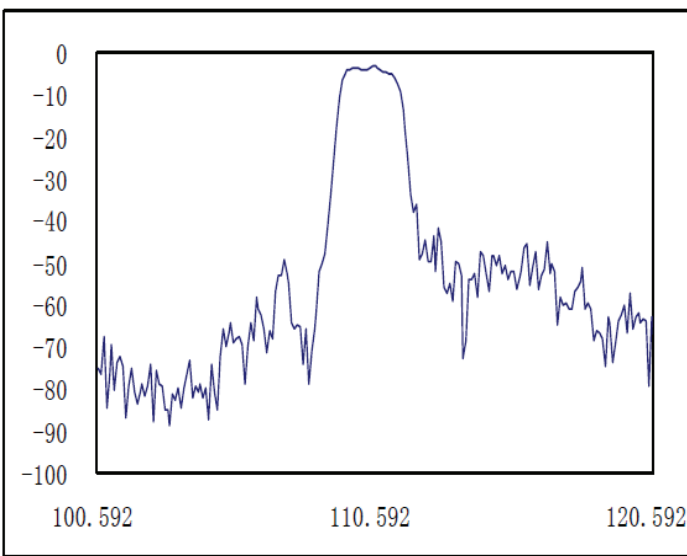
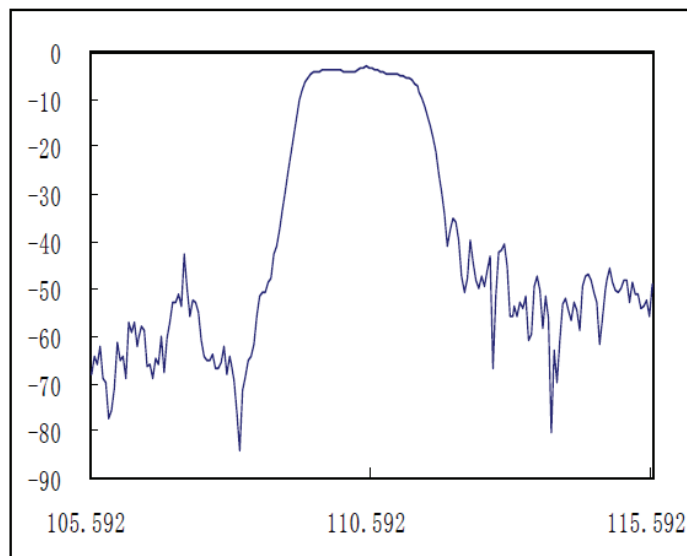


**RoHS**  
Compliant

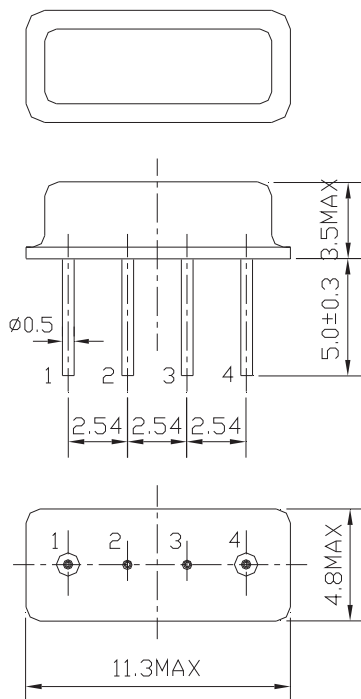


11.3 x 4.8 x 3.5 mm

## FREQUENCY CHARACTERISTICS:



## OUTLINE DIMENSIONS:



Pin No.	Function
1	Input
4	Output
2, 3	Ground

**Dimensions: mm**

**ATTENTION:** Abracon Corporation's products are COTS – Commercial-Off-The-Shelf products; suitable for Commercial, Industrial and, where designated, Automotive Applications. Abracon's products are not specifically designed for Military, Aviation, Aerospace, Life-dependant Medical applications or any application requiring high reliability where component failure could result in loss of life and/or property. For applications requiring high reliability and/or presenting an extreme operating environment, written consent and authorization from Abracon Corporation is required. Please contact Abracon Corporation for more information.

ABRACON IS  
ISO 9001:2008  
CERTIFIED



Visit [www.abracon.com](http://www.abracon.com) for Terms & Conditions of Sale  
30332 Esperanza, Rancho Santa Margarita, California 92688  
tel 949-546-8000 | fax 949-546-8001 | [www.abracon.com](http://www.abracon.com)

Revised: 09.29.11